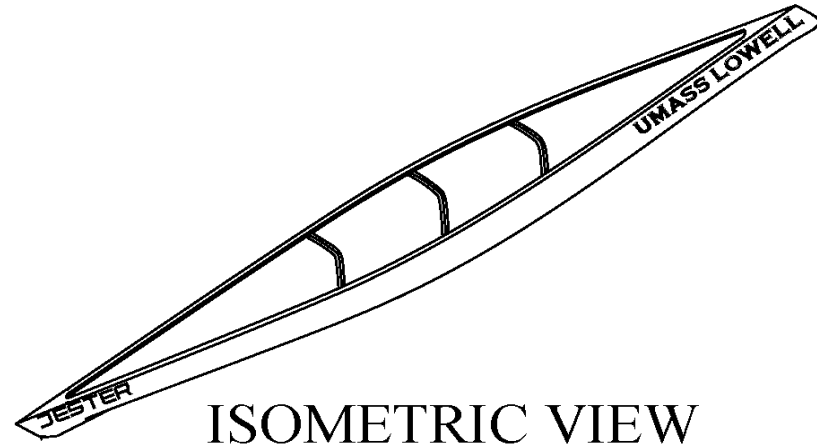
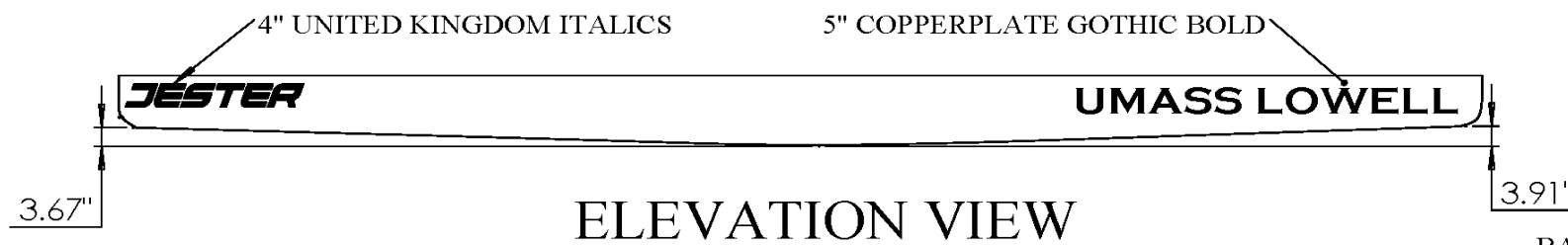
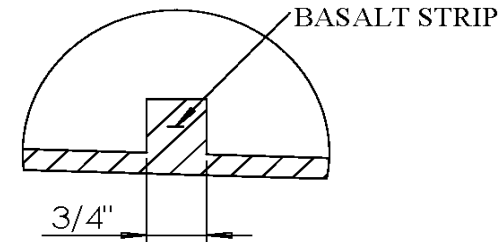


CONSTRUCTION DRAWING



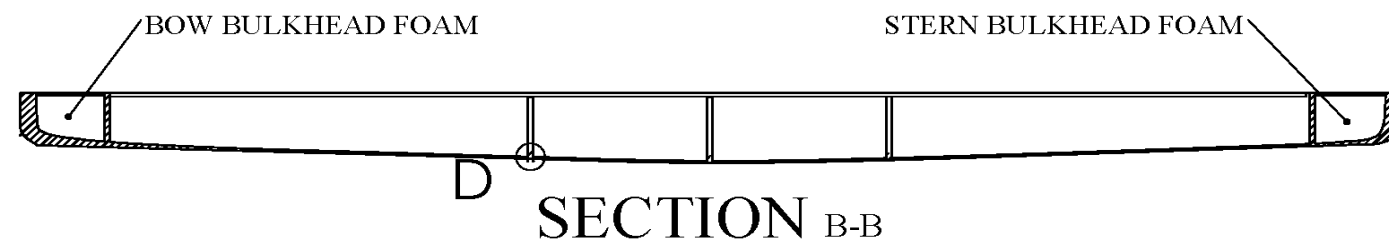
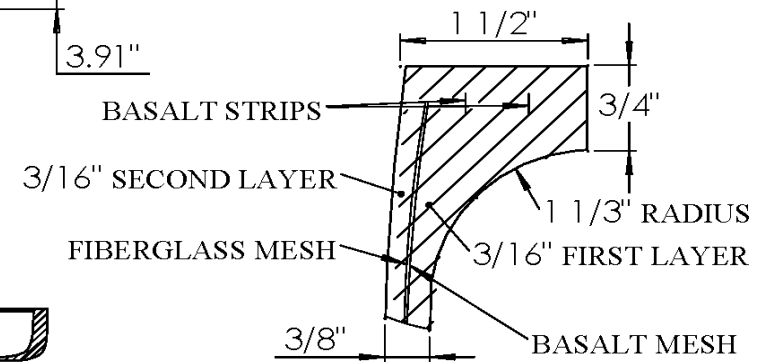
ISOMETRIC VIEW

DETAIL D



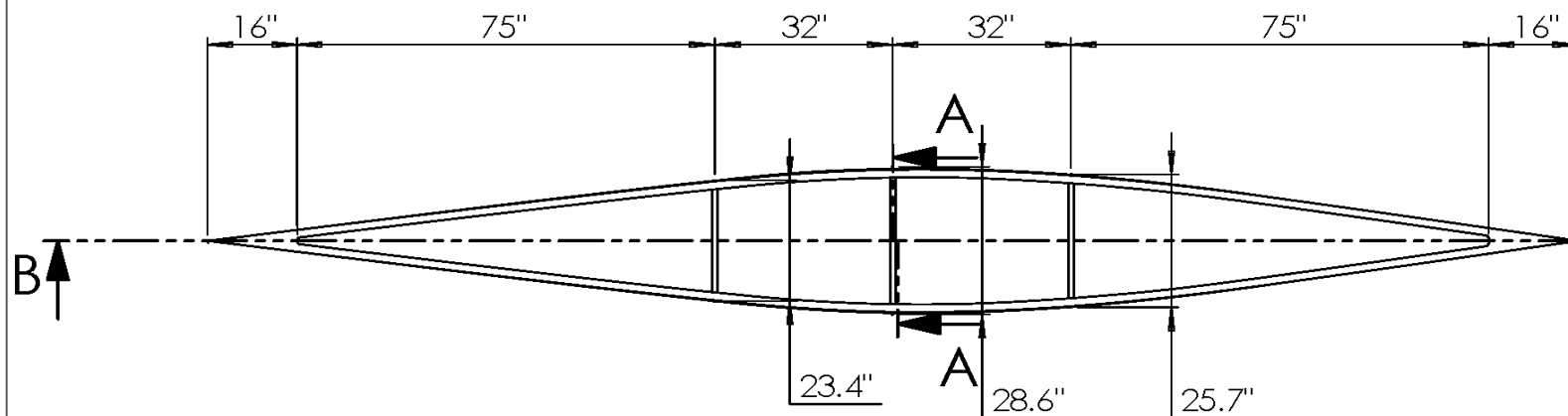
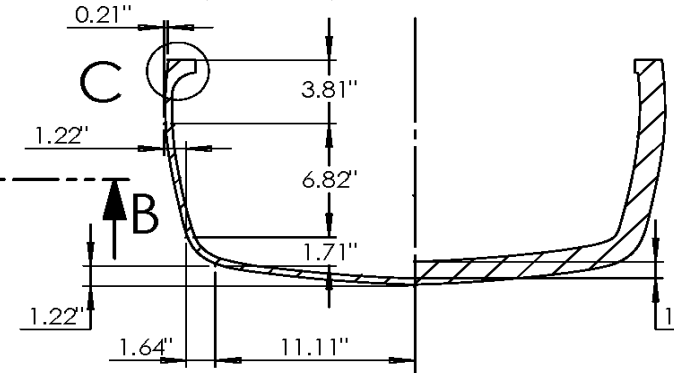
ELEVATION VIEW

DETAIL C



SECTION B-B

SECTION A-A
(LEFT) TYPICAL CROSS SECTION
(RIGHT) RIB SECTION



PLAN VIEW



UMass Lowell

Bill of Materials

Qty.	Description
48.37 lbs.	Portland Cement
4.83 lbs.	Silica Fume
11.41 lbs.	Metakaolin
6.44 lbs.	K15
22.18 lbs.	Expanded Shale
1.94 lbs.	Pigment
3.69 gal.	Latex
2.57 lbs.	PVA Fibers
13.23 fl. oz.	HRWR
16.95 fl. oz.	SRA
60 sq. ft.	Basalt Mesh
60 sq. ft.	Fiberglass Mesh
2 cub. ft.	XPS Foam
1 gal.	Sealing Agent

JESTER
Construction Drawing

- Drawings not to scale
- Bulkhead foam used for floatation, comprised of 2" pieces glued together, stays >1" inside concrete on all sides

Engineer	Campbell Narron
Drawn	Campbell Narron
Checked	Emily Schneider
Date	3/3/17