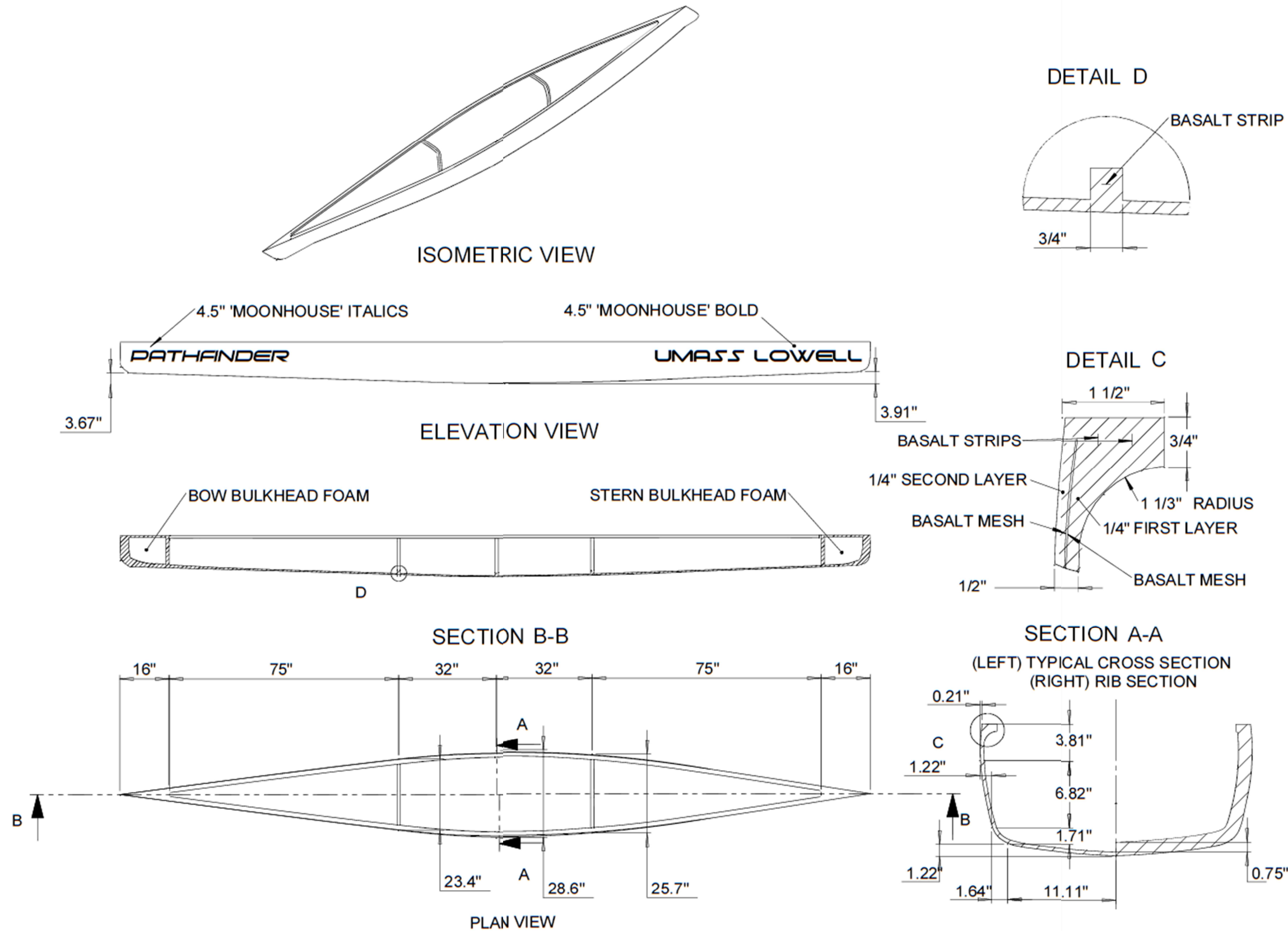


CONSTRUCTION DRAWING AND SPECIFICATIONS



Bill of Materials

Qty.	Description
124.15	Portland Cement
29.25	Metakaolin
11.99	Perlite
12.42	Silica Fume
23.77	Poraver
8.26	PVA Fiber
1.89	Eclipse Floor 200 SRA
25.99	Expanded Shale
15.54	K1
120.0	Basalt Mesh
4.75	Powdered Pigment
8.51	Water
60.00	Glossy Sealer
1.00	Bulkhead Foam

PATHFINDER
Construction Drawing

- Drawing not to scale
- Bulkhead foam used for floatation, comprised of 1" pieces glued together, stays >1" inside concrete on all sides

Engineer	Yushai Canteenwala
Drawn By	Steven Fallon
Checked By	Kathryn Evasius
Date	02/11/2020

