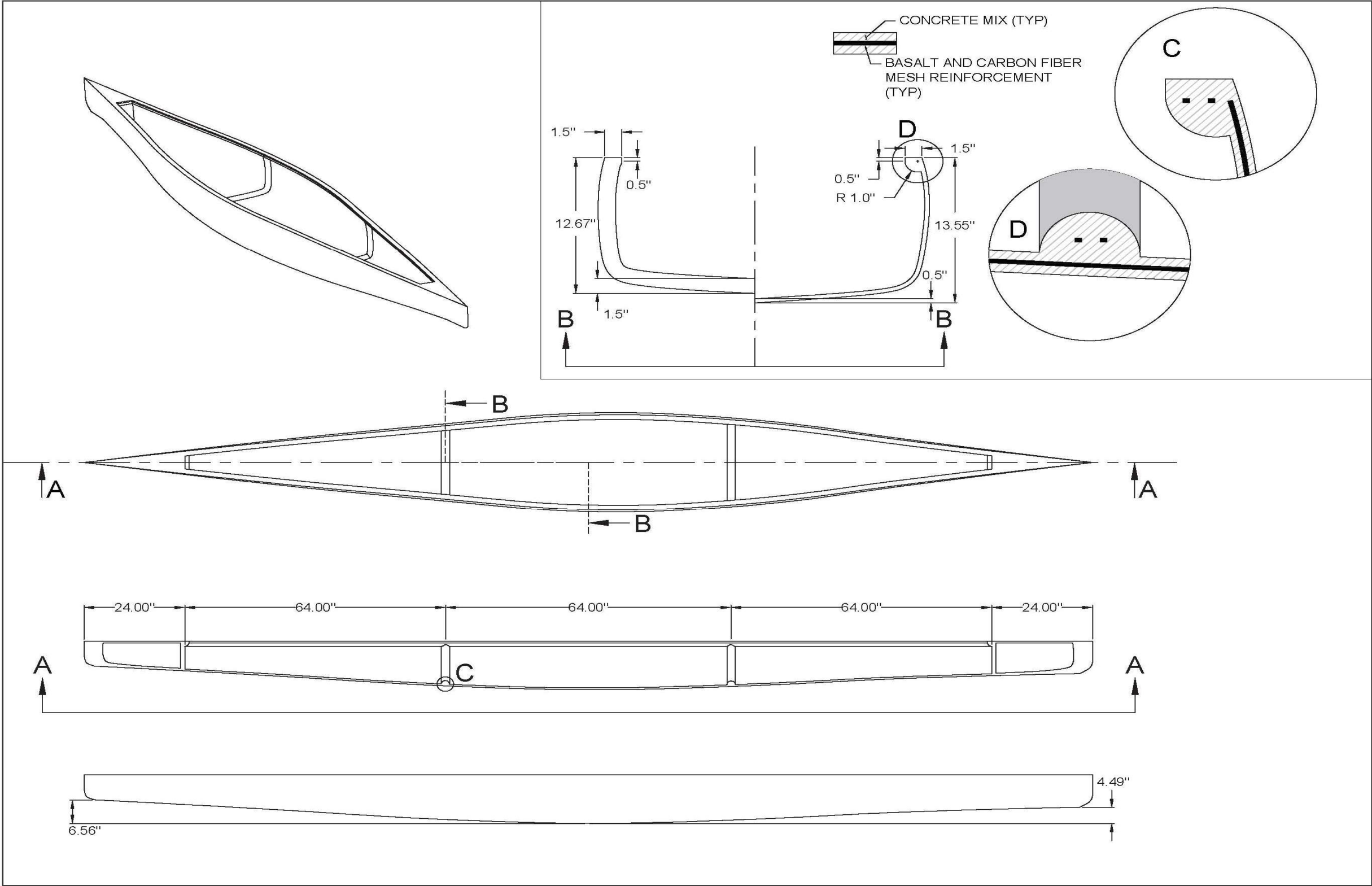




**CONSTRUCTION DRAWING**



BILL OF MATERIALS

MATERIAL	WEIGHT
PORTLAND CEMENT	70.85 LBS
SILICA FUME	7.07 LBS
METAKEOLIN	16.71 LBS
K-15	11.97 LBS
PORAVER	10.91 LBS
SHALE	24.52 LBS
PIGMENT	2.71 LBS
FIBERS	3.70 LBS
WATER	3.47 GAL
JATFX	2.55 GAL
AVDA	38.53 FL OZ
ECLIPSE	14.60 FL OZ

2019 ASCE  
CONCRETE CANOE  
COMPETITION

VITRUVIUS  
CONSTRUCTION  
DRAWING

Pro. No. 2019.01	Checked by KTE	03/02/2019
Drawn by YTC	Approved by JEG	NOT TO SCALE
 Signature (Seal)		1 OF 1